



SPRAY WATER STRAINER

NEW!



Maximize wash screen efficiency & uptime

Eliminate costly downtime from clogged nozzles & pipes



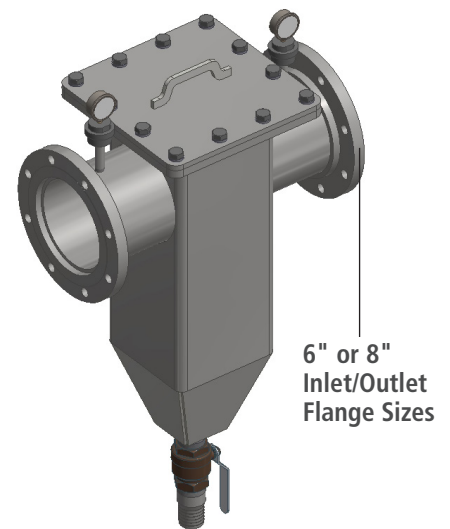
Does your spray water contain stone particles, rust flakes, vegetation, and other debris? Do you frequently need to clear clogged spray nozzles and pipes?

The new Deister Spray Water Strainer easily collects and discharges the accumulated solids from the wash screen water system, while providing strained water to multiple wash screens in the circuit.

The result is greater wash plant uptime, optimum water flow and sprayer performance, and maximum water velocity and cleaning action to the screen.

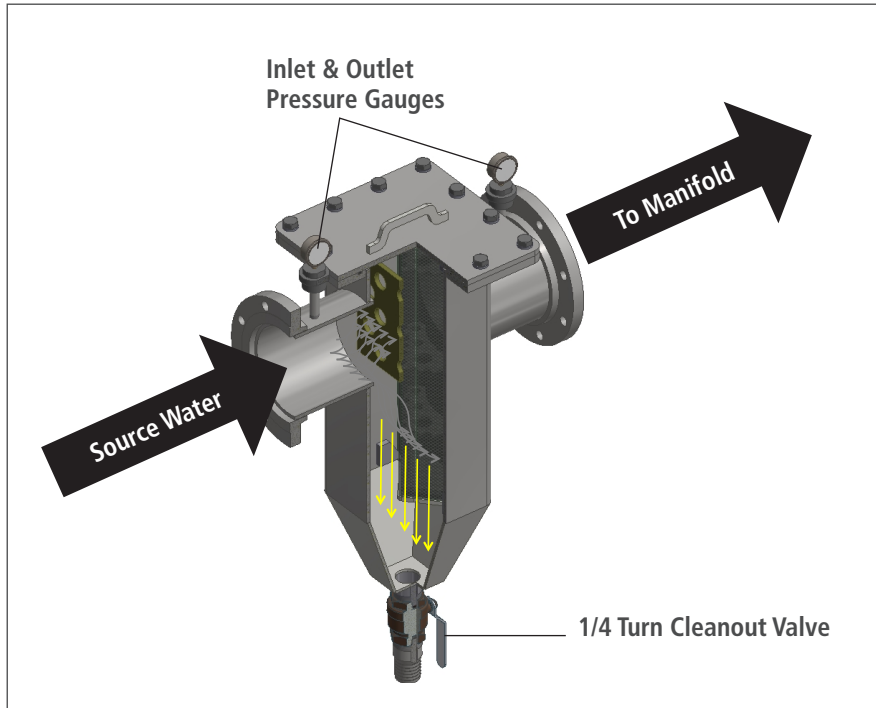


Easily replaceable strainer plate



The Spray Water Strainer is installed at the base of the screen tower. Accumulated solids are purged through a cleanout valve, and strained water is supplied to the wash screens.

SPRAY WATER STRAINER



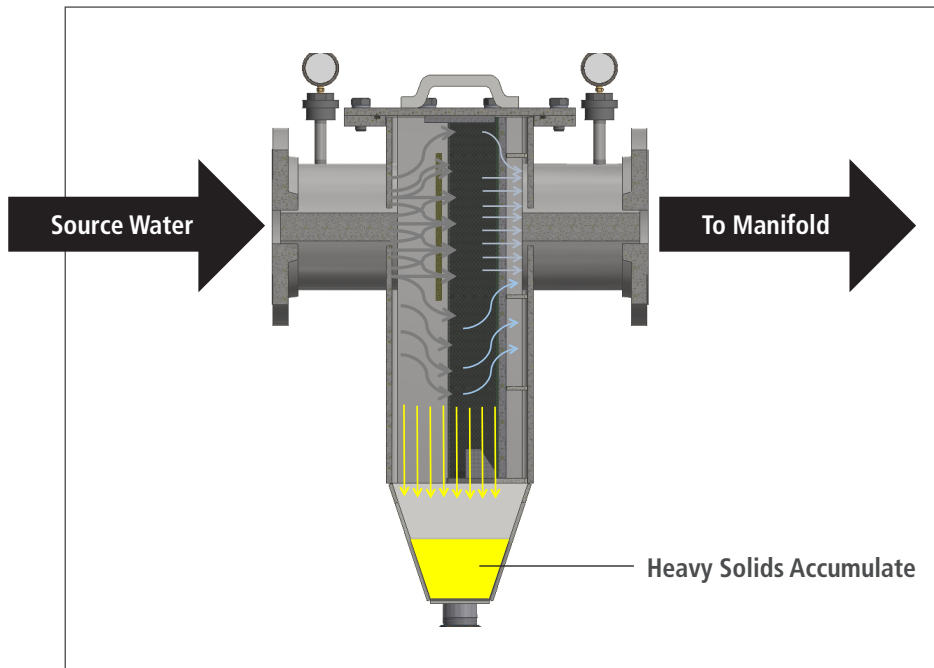
- Formed steel or stainless-steel lift-out replaceable & cleanable strainer plates

- 1/8" strainer mesh size standard

- Inlet and outlet pressure gauges

- One-quarter turn purge valve at bottom of assembly

- Capacities up to 3900 GPM



Deister offers 24/7 parts and service support; stocked American-made parts; and a global network of dealers.



Deister's skilled service technicians are available for installation, onsite troubleshooting, and training.



DEISTER MACHINE COMPANY, INC.
 P.O. Box 1 • Fort Wayne, IN 46801
 260-426-7495 • Fax: 260-422-1523
 info@deistermachine.com • deistermachine.com